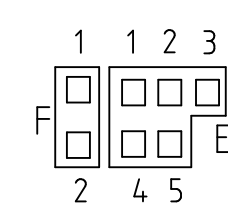


M.M.1 M.M. 40000 rpm JC 1-2  
 M.M.1 M.M. 20000 rpm JC 2-3  
 M.M.2 M.M. 40000 rpm JD 2-3  
 M.M.2 M.M. 20000 rpm JD 1-2

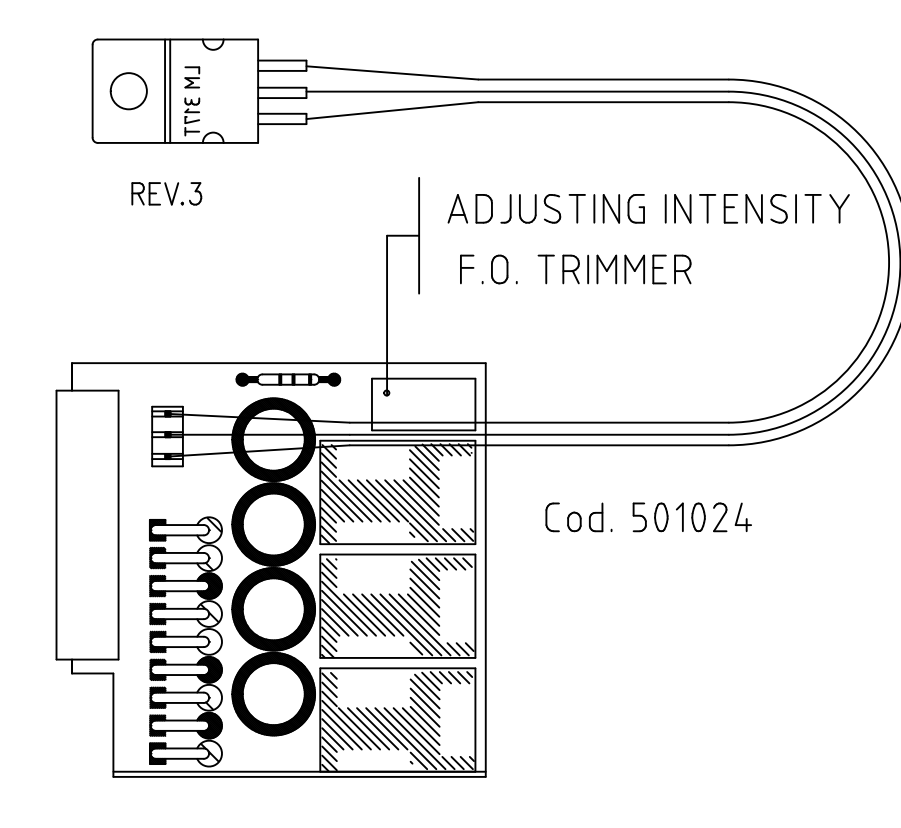
SCALER JF 1-2 JE 1-2, 4-5  
 M.M.2 JE 1-4, 2-3 JF NO

JUMPER SPRAY M.M.1/M.M.2/SCALER  
 SPRAY PRESSING JA 2-3 JB 2-3  
 SPRAY DIRECT JA 1-2 JB 2-3

JUMPER SPRAY T2  
 JB 1-2

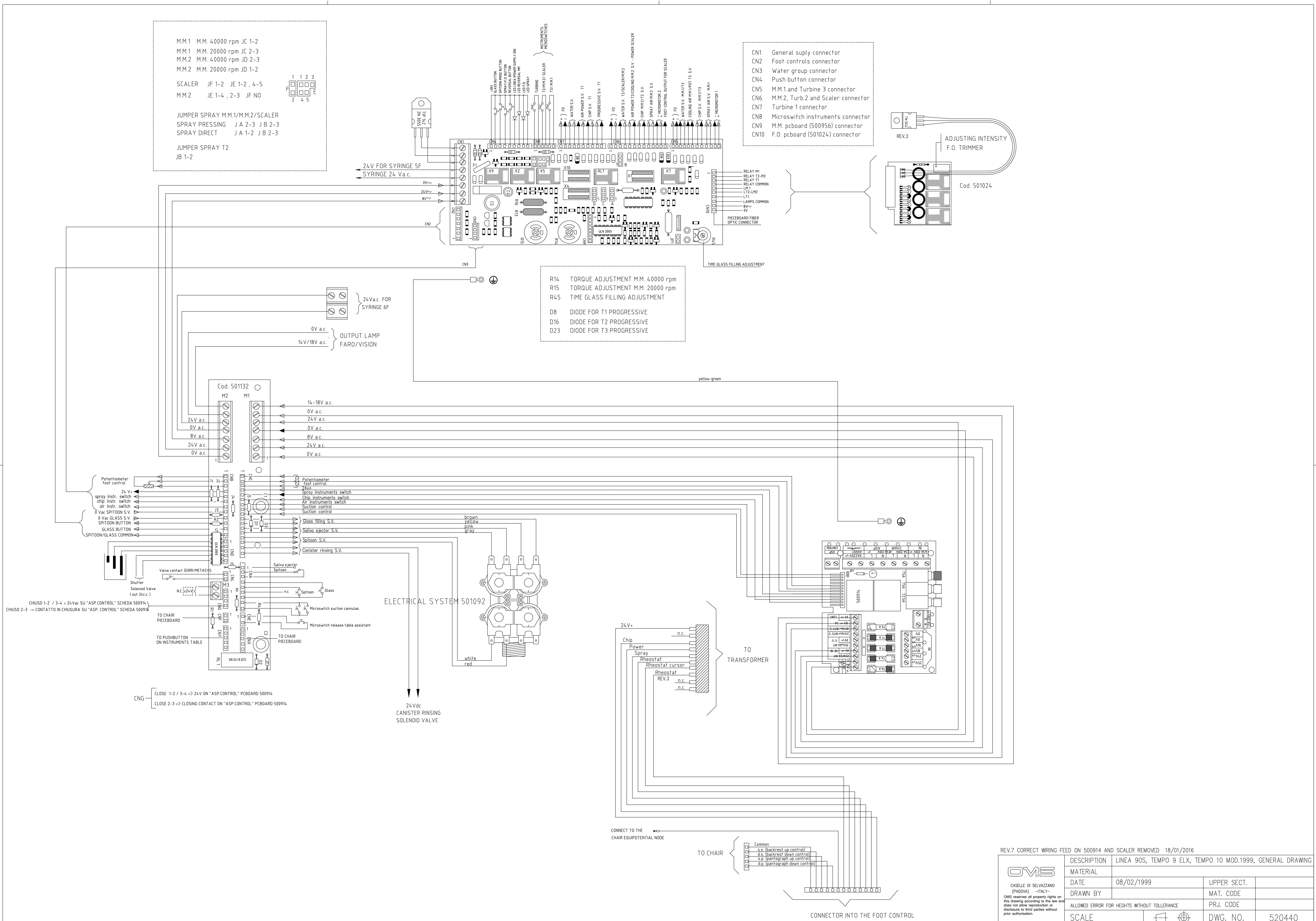


CN1 General supply connector  
 CN2 Foot controls connector  
 CN3 Water group connector  
 CN4 Push button connector  
 CN5 M.M.1 and Turbine 3 connector  
 CN6 M.M.2, Turb.2 and Scaler connector  
 CN7 Turbine 1 connector  
 CN8 Microswitch instruments connector  
 CN9 M.M. pboard (500956) connector  
 CN10 F.O. pboard (501024) connector



R14 TORQUE ADJUSTMENT M.M. 40000 rpm  
 R15 TORQUE ADJUSTMENT M.M. 20000 rpm  
 R45 TIME GLASS FILLING ADJUSTMENT

D8 DIODE FOR T1 PROGRESSIVE  
 D16 DIODE FOR T2 PROGRESSIVE  
 D23 DIODE FOR T3 PROGRESSIVE



Potentiometer foot control  
 24 V. spray instr. switch  
 chip instr. switch  
 or instr. switch  
 0 Vac SPITDON S.V.  
 0 Vac GLASS S.V.  
 SPITDON BUTTON  
 GLASS BUTTON  
 SPITDON/GLASS COMMON

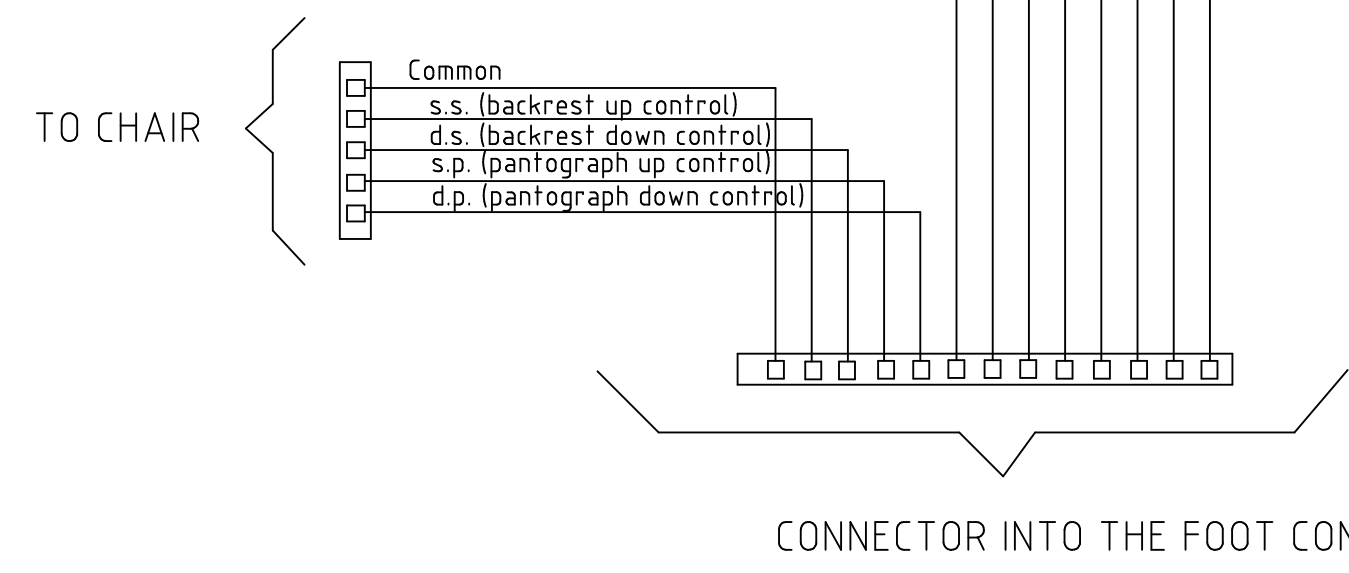
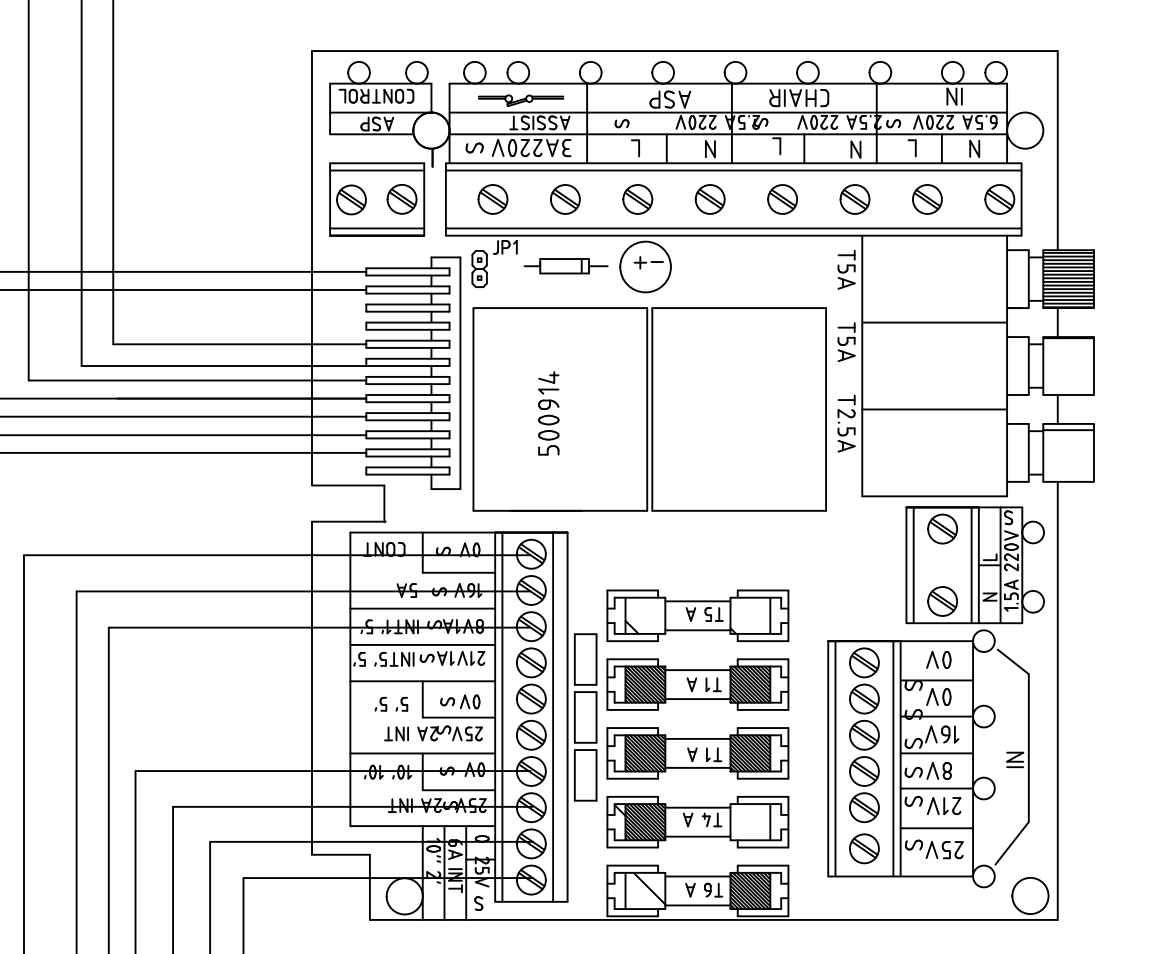
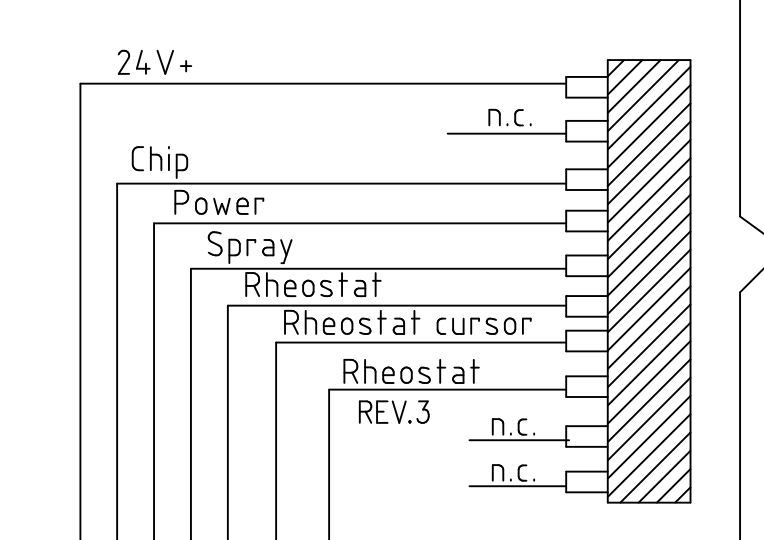
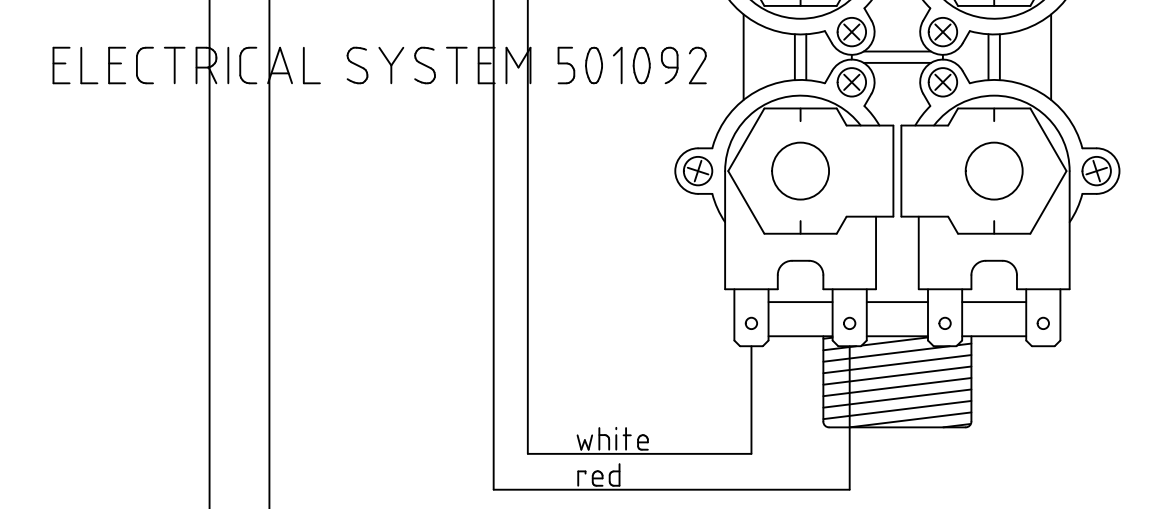
Shutter Solenoid Valve (out 24c.c.)  
 Valve contact DÜRR/METASYS  
 Saliva ejector Spitoon  
 Spitoon S.V.  
 Consister rinsing S.V.

TO CHAIR PIECEBOARD  
 TO CHAIR PIECEBOARD  
 TO CHAIR PIECEBOARD

Microswitch suction cannulas  
 Microswitch release table assistant

CHIUSO 1-2 / 3-4 = 24Vac SU "ASP CONTROL" SCHEDA 500914  
 CHIUSO 2-3 --> CONTATTO IN CHIUSURA SU "ASP CONTROL" SCHEDA 500914

CNG CLOSE 1-2 / 3-4 => 24V ON "ASP CONTROL" PCBOARD 500914  
 CLOSE 2-3 => CLOSING CONTACT ON "ASP CONTROL" PCBOARD 500914



REV.7 CORRECT WIRING FEED ON 500914 AND SCALER REMOVED 18/01/2016

DESCRIPTION	LINEA 90S, TEMPO 9 ELX, TEMPO 10 MOD.1999, GENERAL DRAWING		
MATERIAL			
DATE	08/02/1999	UPPER SECT.	
DRAWN BY		MAT. CODE	
ALLOWED ERROR FOR HEIGHTS WITHOUT TOLERANCE		PRJ. CODE	
SCALE		DWG. NO.	520440

CASILE DI SELVAZZANO (PADOVA) - ITALY  
 OMS reserves all property rights on this drawing according to the law and does not allow reproduction or disclosure to third parties without prior authorization.