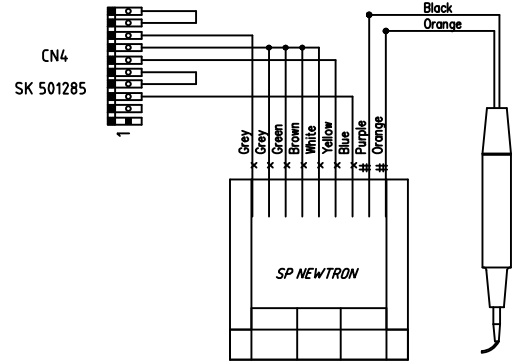


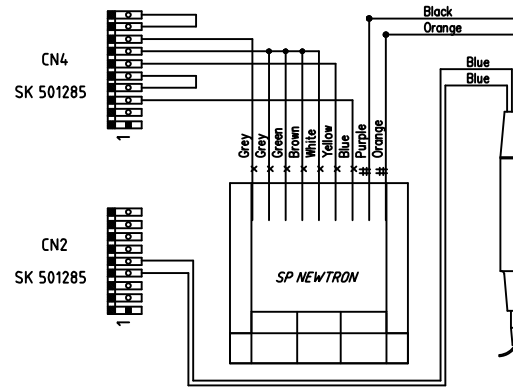
4K5V SATELEC NEWTRON CONNECTION

- * 3 turns on Toroid ø 28
- # 3 turns on Toroid ø 14 (near handpiece)



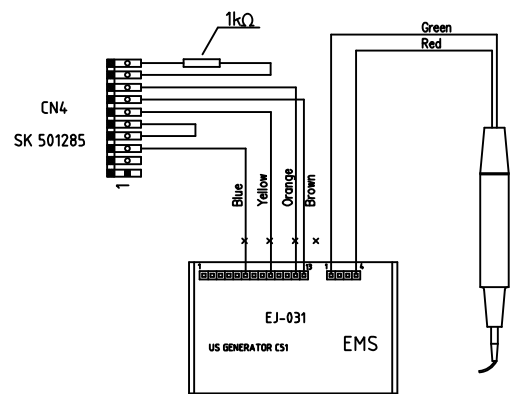
4K5V SATELEC NEWTRON F.O. CONNECTION

- * 3 turns on Toroid ø 28
- # 3 turns on Toroid ø 14 (near handpiece)
- Select FO in instrument menu

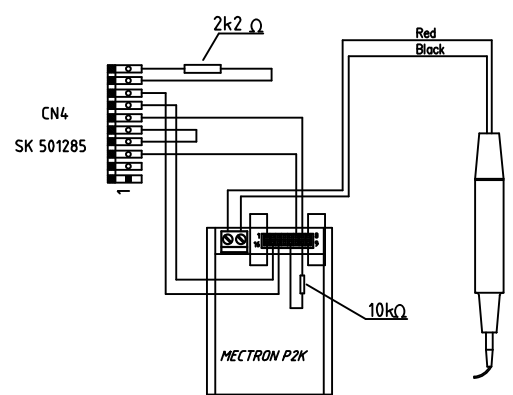


EMS EJ-031 CONNECTION

- * N.1 turn on Ferrite, code 430601

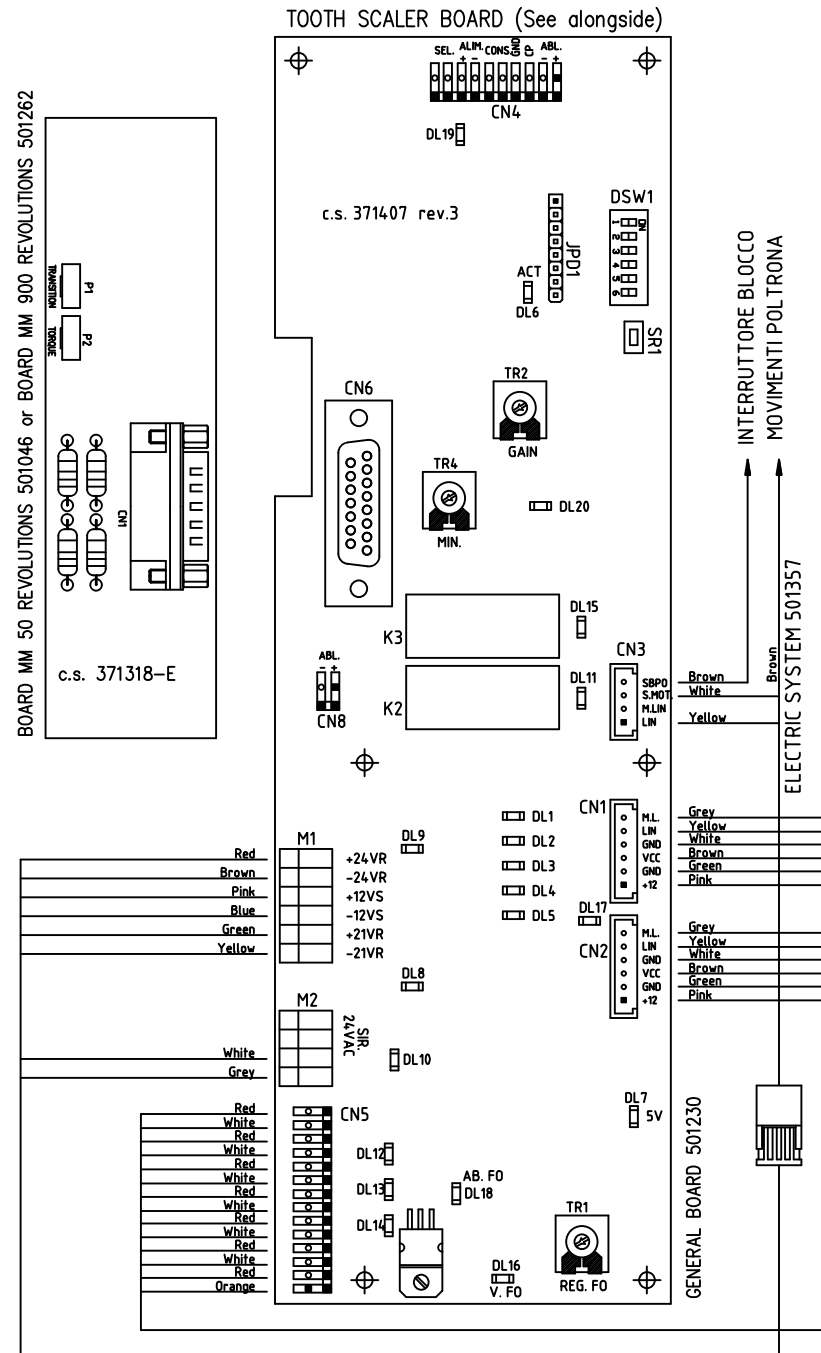


MECTRON P2K CONNECTION



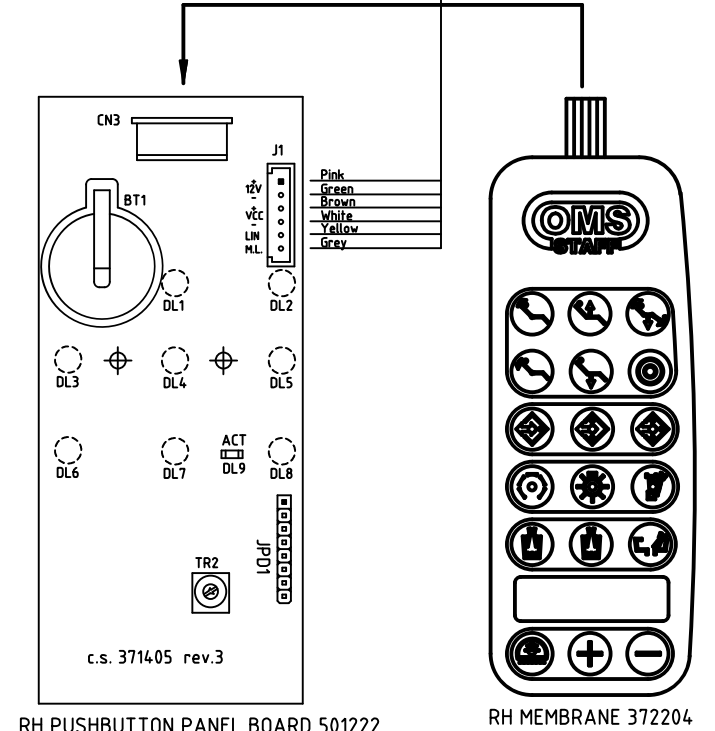
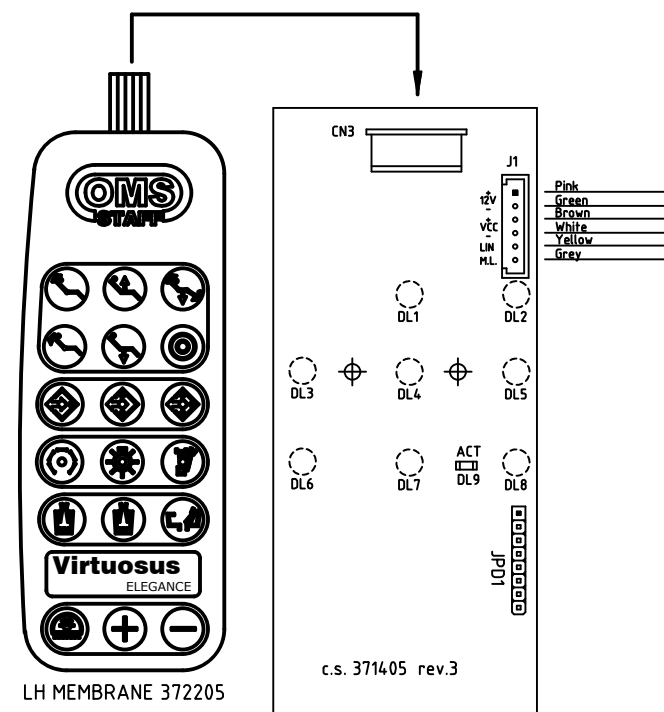
DIP-SWITCH SETTINGS (- = irrelevant)

DSW1 in General Board 501230	1	2	3	4
Normal operation	off	off	off	off
Dental unit configuration (only at switch on)	on	off	off	off
MM revolution change with keys +/- (only for testing)	off	off	on	off



RH ELECTRIC SYSTEM 501240

LH ELECTRIC SYSTEM 501239



ADJUSTMENTS

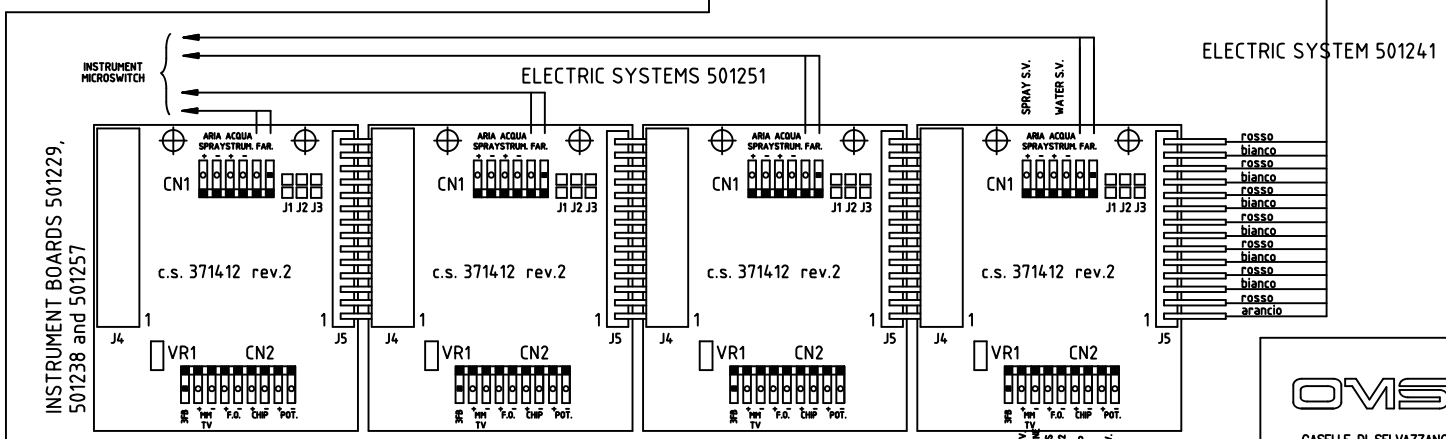
General board 501230	
TR1	Optic fibre luminosity
TR2	Max. number of micromotor revolutions
TR4	Min. number of micromotor revolutions
MM pboards, 50 revolutions 501046 and 900 rev. 501262	
P1	Analog-digital transition
P2	Micromotor torque
Pushbutton panel board 501222	
TR2	Display contrast

INSTRUMENT BOARD BRIDGES AND SETTINGS

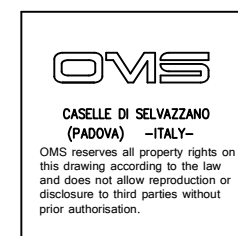
Instrument	J1	J2	J3
TN1 Turbine 1	0	0	0
TV1 Progressive turbine 1 (fit VR1)	1	0	0
MM1 Micromotor 1	0	1	0
ABL Tooth scaler	0	0	1
MM2 Micromotor 2	1	1	0
TN2 Turbine 2	0	1	1
TV2 Progressive turbine 2 (fit VR1)	1	1	1
MM3 Micromotor 3	1	0	1

WARNING SIGNS

General board 501230	
DL1	Motor safety LED
DL2	Sig. 3 LED for instrument coding
DL3	
DL4	Sig. 2 LED for instrument coding
DL5	Sig. 1 LED for instrument coding
DL6	BUS + error communication LED
DL7	5Vdc power supply LED
DL8	21VR power supply LED
DL9	24VR power supply LED
DL10	24Vac syringe power supply LED
DL11	Micromotor power LED
DL12	Spray solenoid valve LED
DL13	Chip solenoid valve LED
DL14	Power solenoid valve LED
DL15	Micromotor inversion LED
DL16	F.O. power supply LED
DL17	Dental chair block release control LED
DL18	F.O. enabled LED
DL19	Tooth scaler enabled LED
DL20	Syringe delivery unit LED for disinfectant reg.
Pushbutton panel boards 501222 and 501223	
DL9	Communication LED



INSTRUMENT BOARD 501229 (for MM, and scaler), 501238 (for fixed and progressive turbine) or 501257 (no instrument)



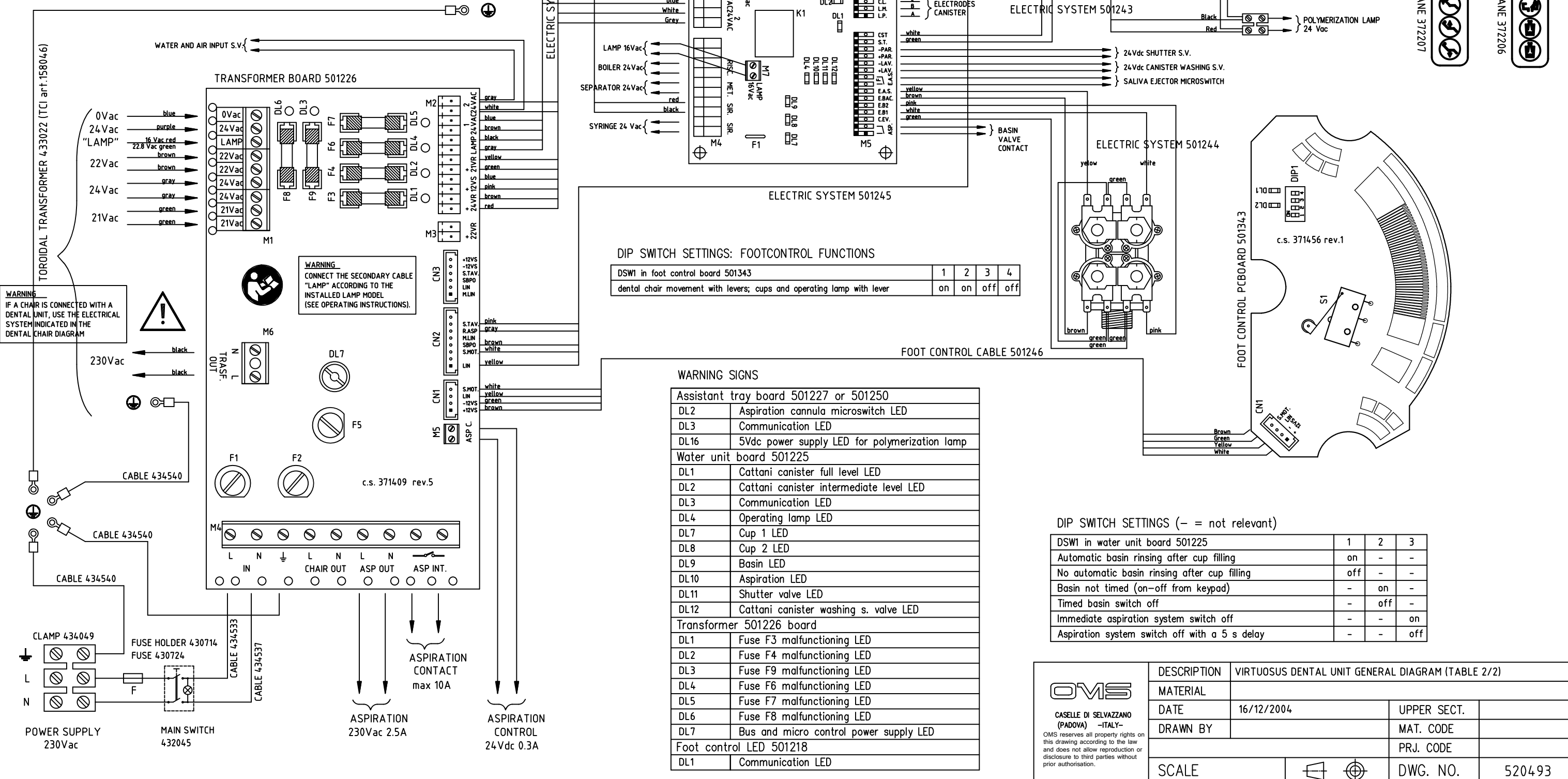
DESCRIPTION	VIRTUOSUS DENTAL UNIT GENERAL DIAGRAM (TABLE 1/2)	
MATERIAL		
DATE	16/12/2004	UPPER SECT.
DRAWN BY		MAT. CODE
		PRJ. CODE
SCALE		DWG. NO. 520493

FUSES

F	6.3 AT main fuse (230Vac)
Transformer board 501226	
F1	4AT transformer primary circuit (230Vac)
F2	5AT chair (230 Vac)
F3	3.15AT electronic boards and bus (22Vac)
F4	6.3AT operating lamp (16 Vac)
F5	5AT aspiration pump (230 Vac)
F6	6.3AT s. valves for water unit, separator ... (24 Vac)
F7	6.3AT syringes (24 Vac)
F8	5AT MM, progr. turbine, tooth scaler (24 Vac)
F9	2AF relay, s. valves and general board F.O. (21 Vac)
Water unit board 501225	
F1	1.35AT water unit solenoid valve self-resetting fuse
Assistant table pboard 501227 or 501250	
F1	1.35AT pboard power supply self-resetting fuse (24Vac)

CUP AND BASIN TIME ADJUSTMENT

WATER UNIT BOARD 501225
 Hold the button pressed until a beep is heard. Release the button when the cup has been filled to the desired level or the required time for basin rinsing has elapsed



WARNING
 IF A CHAIR IS CONNECTED WITH A DENTAL UNIT, USE THE ELECTRICAL SYSTEM INDICATED IN THE DENTAL CHAIR DIAGRAM

WARNING
 CONNECT THE SECONDARY CABLE "LAMP" ACCORDING TO THE INSTALLED LAMP MODEL (SEE OPERATING INSTRUCTIONS).

DIP SWITCH SETTINGS: FOOTCONTROL FUNCTIONS

DSW1 in foot control board 501343	1	2	3	4
dental chair movement with levers; cups and operating lamp with lever	on	on	off	off

WARNING SIGNS

Assistant tray board 501227 or 501250	
DL2	Aspiration cannula microswitch LED
DL3	Communication LED
DL16	5Vdc power supply LED for polymerization lamp
Water unit board 501225	
DL1	Cattani canister full level LED
DL2	Cattani canister intermediate level LED
DL3	Communication LED
DL4	Operating lamp LED
DL7	Cup 1 LED
DL8	Cup 2 LED
DL9	Basin LED
DL10	Aspiration LED
DL11	Shutter valve LED
DL12	Cattani canister washing s. valve LED
Transformer 501226 board	
DL1	Fuse F3 malfunctioning LED
DL2	Fuse F4 malfunctioning LED
DL3	Fuse F9 malfunctioning LED
DL4	Fuse F6 malfunctioning LED
DL5	Fuse F7 malfunctioning LED
DL6	Fuse F8 malfunctioning LED
DL7	Bus and micro control power supply LED
Foot control LED 501218	
DL1	Communication LED

DIP SWITCH SETTINGS (- = not relevant)

DSW1 in water unit board 501225	1	2	3
Automatic basin rinsing after cup filling	on	-	-
No automatic basin rinsing after cup filling	off	-	-
Basin not timed (on-off from keypad)	-	on	-
Timed basin switch off	-	off	-
Immediate aspiration system switch off	-	-	on
Aspiration system switch off with a 5 s delay	-	-	off

<p>CASELLE DI SELVAZZANO (PADOVA) -ITALY-</p> <p>OMS reserves all property rights on this drawing according to the law and does not allow reproduction or disclosure to third parties without prior authorisation.</p>	DESCRIPTION	VIRTUOSUS DENTAL UNIT GENERAL DIAGRAM (TABLE 2/2)		
	MATERIAL			
	DATE	16/12/2004	UPPER SECT.	
	DRAWN BY		MAT. CODE	
	SCALE		PRJ. CODE	
		DWG. NO.	520493	